

# PORTABILITY KIT INSTALLATION

**PORTABILITY KIT PART NUMBER: 0068294**

**TOOLS REQUIRED:** 10mm and 13mm sockets and ratchets, block(s) of wood (minimum of 6" tall).

## WHEEL INSTALLATION

1. Block up the alternator end of generator to install wheel kit.
2. Slide axle (**item 13**) through the wheel bracket on the carrier.
3. Slide the wheel (**item 12**) and size 16 washer (**item 14**) onto the axle, with the offset side of the wheel hub against the wheel bracket.
4. Secure the wheel to the axle with the cotter pin (**item 11**).
5. Repeat above instructions for the remaining wheel.

## FOOT INSTALLATION

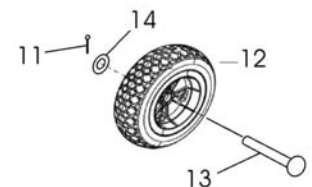
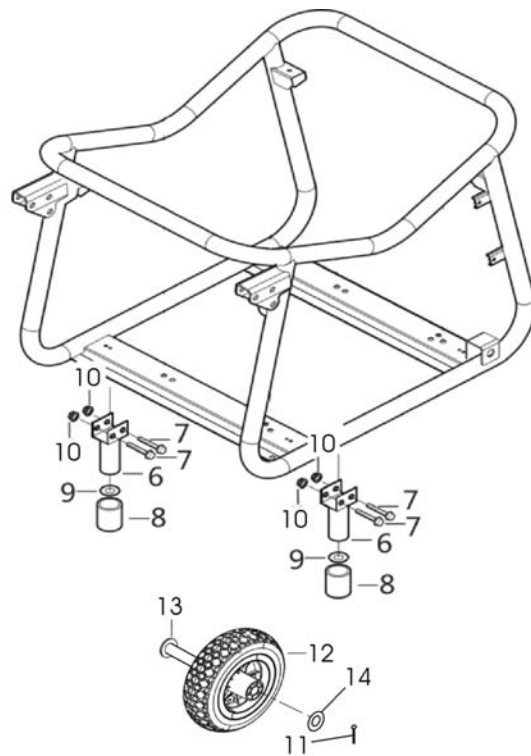
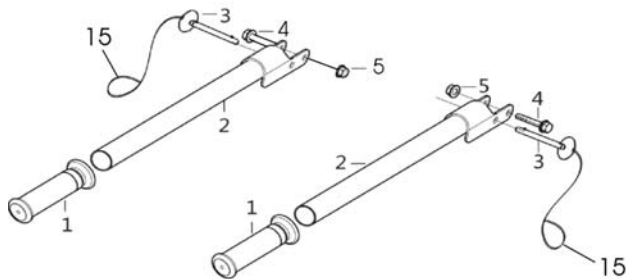
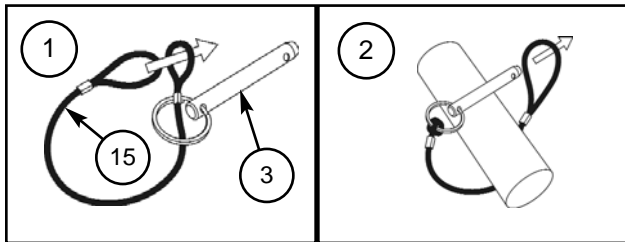
1. Blocking up the engine side of the generator, assemble the foot bracket (**items 6, 8, and 9**) to the carrier (align with holes in tubing) using two M6 x 45 bolts (**item 7**). Thread M6 nuts (**item 10**) to the bolts to secure the assembly.
2. Repeat above instructions for the remaining foot.

## HANDLE INSTALLATION

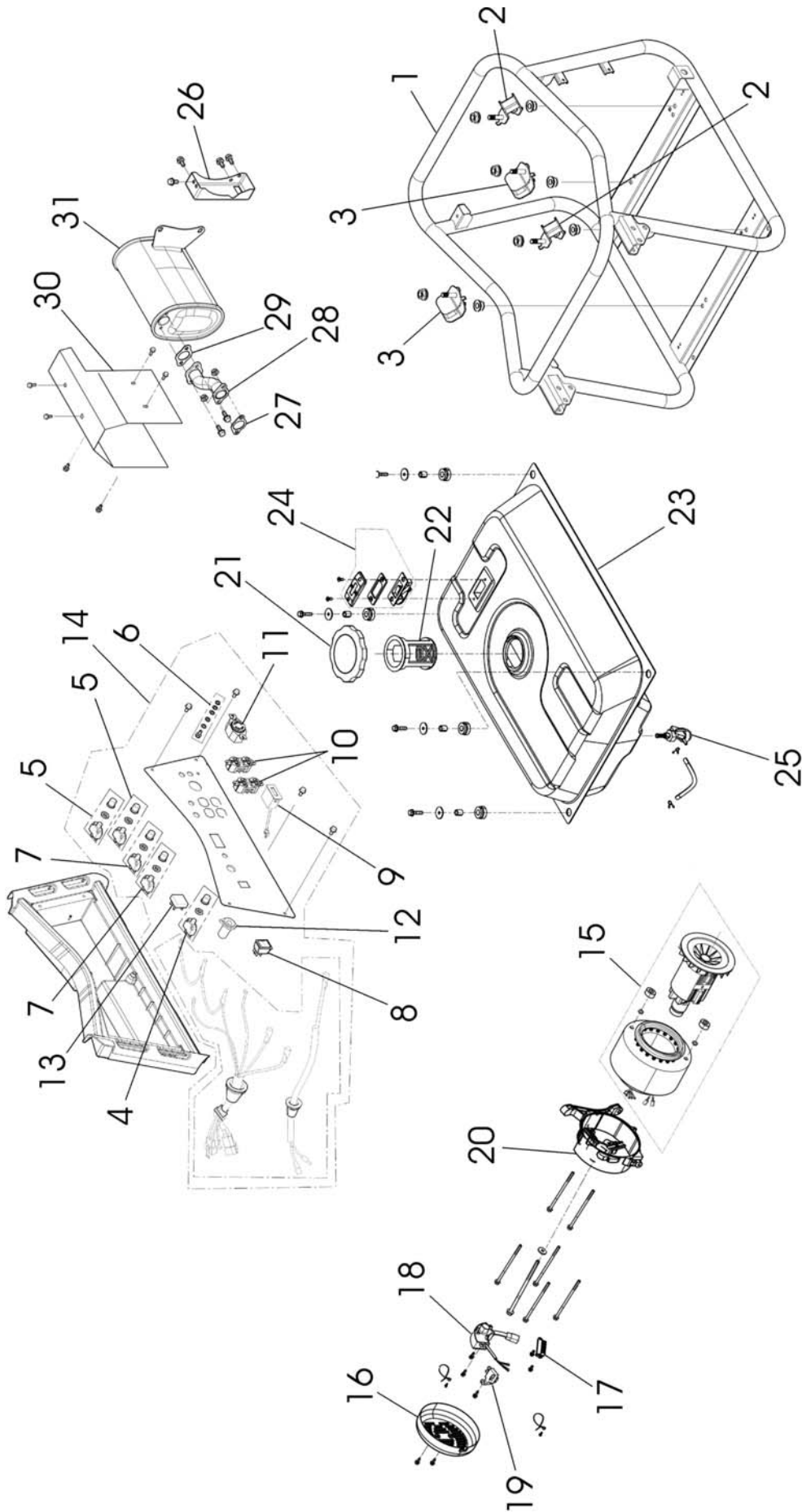
1. Slide M8 x 45 bolt (**item 4**) through handle (**items 1 and 2**) and handle bracket as shown in diagram and secure with M8 nut (**item 5**). Tighten until handle is securely clamped to the carrier.
2. Repeat above instructions for the remaining handle.

## LOCKING HANDLE

1. Attach the lanyards (**item 15**) to the release pins (**item 3**) and carrier as shown in the illustration.
2. To lock the handle in the extended position, align the holes in the handle brackets with the holes in the carrier brackets and insert the release pins.



PARTS DRAWING / SCHEMA DES PIÈCES / DIAGRAMA DE PIEZAS - PM0105007



## PARTS LIST / LISTE DES PIÈCES / LISTA DE PIEZAS - PM0105007

REF. NO.	PART NO.	DESCRIPTION	DESCRIPTION	DESCRIPCION	QTY
1	0068301	Frame	Cadre	Marco	1
2	0067208	Isolator left	Sectionneur gauche	Aislador izquierda	2
3	0067209	Isolator right	Sectionneur droite	Aislador derecho	2
4	0068303	Circuit Breaker 10 amp DC	Disjoncteurs 10 amp CC	Cortacircuitos 10 amp CC	1
5	0068304	Circuit Breaker 21 amp	Disjoncteurs 21 amp	Cortacircuitos 21 amp	2
6	0067210	Ground terminal	Borne de mise à terre	Terminal, tierra	1
7	0067787	Circuit Breaker 20 amp	Disjoncteurs 20 amp	Cortacircuitos 20 amp	2
8	0067212	Ignition switch	Interrupteur	Interruptor	1
9	0067128	Hour meter	Horomètre	Contador Horario	1
10	0037762.01	Receptacle 5-20R	Prise 5-20R	Receptáculo 5-20R	2
11	0049365	Receptacle L14-30R	Prise L14-30R	Receptáculo L14-30R	1
12	0061990	Receptacle DC	Prise CC	Receptáculo CC	1
13	0067242	Rectifier	Redresseur	Rectificador	1
14	0068302	Panel, wired	Tableau complet câblé	Panel, cableado completo	1
15	0068305	Assy, rotor/stator	Ensemble de rotor et stator	Conjunto, rotor y estator	1
16	0068307	Cover, end	Couvercle	Tapa	1
17	0067221	Connection board	Conseil de connexion	Tabla de conexión	1
18	0068306	Voltage regulator	La tension régulatrice	El regulador del voltaje	1
19	0067223	Brush module	Brosser le module	Cepille módulo	1
20	0067224	Support, bearing	Support, roulement	Soporte, Cojinete	1
21	0067143	Fuel cap	Capuchon	Tapa de combustible	1
22	0067227	Fuel filter	Filtre à carburant	Filtro de combustible	1
23	0068299	Fuel tank	Réservoir de carburant	Tanque de metal de combustible	1
24	0068300	Fuel gauge	Jauge de carburant	Indicador de combustible	1
25	0067157	Fuel shut-off	Alimenter d'arrêt	Abastecza de combustible válvula	1
26	0067239	Bracket, metal	Support	Soporte	1
27	0067232	Gasket, exhaust pipe	Joint	Empaquetadera	1
28	0067233	Exhaust pipe	Tuyau d'échappement	Tubo de descarga	1
29	0067234	Gasket, exhaust pipe	Joint	Empaquetadera	1
30	0068297	Cover, muffler	Couvercle	Tapa	1
31	0068298	Muffler	Silencieux	Silenciador	1



**WARNING:** To avoid possible personal injury or equipment damage, a registered electrician or an authorized service representative should perform installation and all service. Under no circumstances should an unqualified person attempt to wire into a utility circuit.

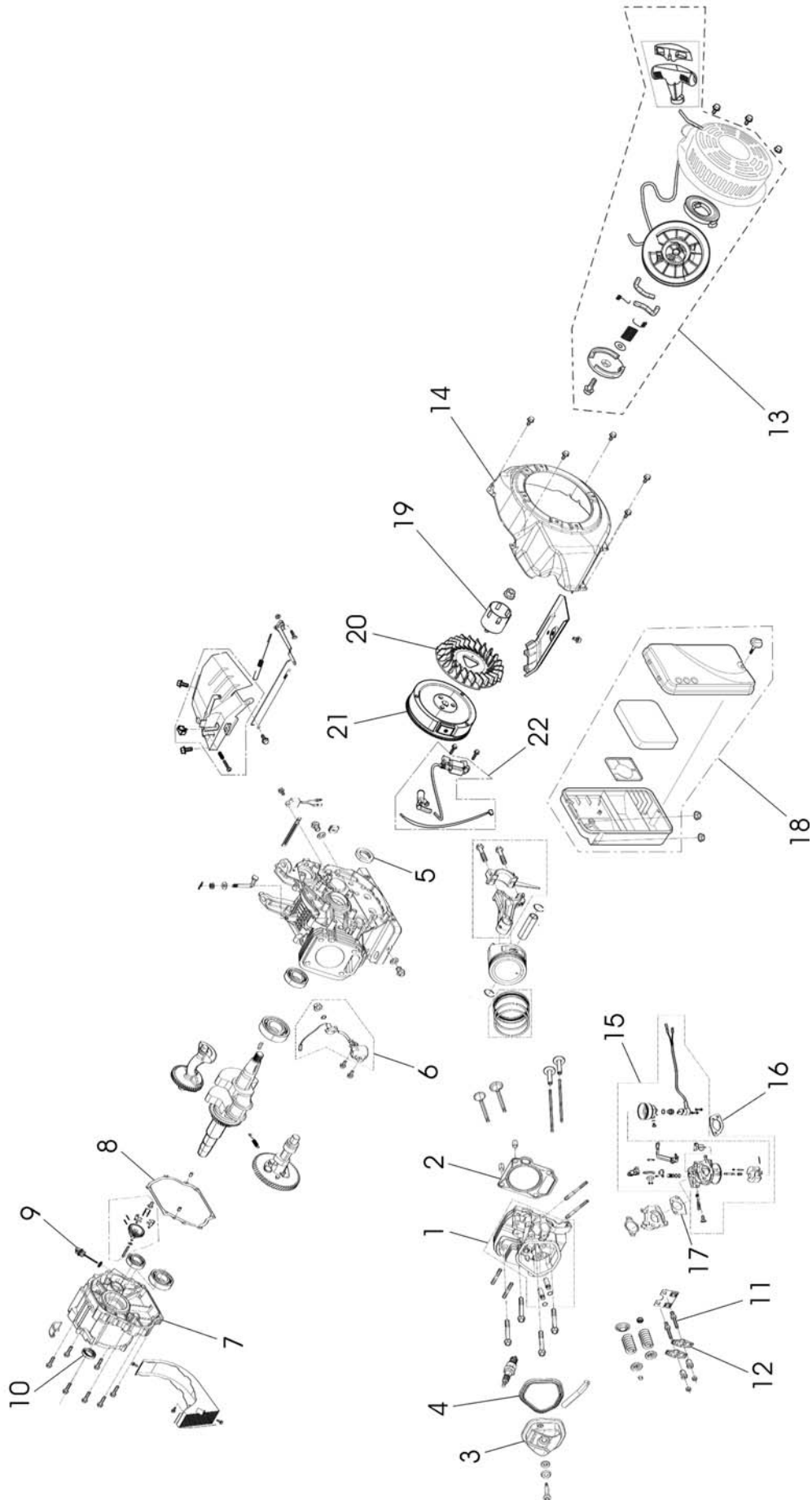


**AVERTISSEMENT:** Pour éviter toute blessure personnelle ou dommage à l'équipement, l'installation et tout entretien devraient être effectués par un électricien qualifié ou un préposé au service autorisé. En aucun cas, une personne non-qualifiée ne devrait essayer de faire le raccord au circuit principal.



**ADVERTENCIA:** Para evitar posibles lesiones físicas o daños materiales, es necesario que la instalación y todo el servicio sea realizado por un electricista matriculado o representatnte de servicio autorizado. Bajo ninguna circunstancia debe permitirse que una persona que no está capacitada trate de manipular cables dentro del circuito de servicio eléctrico.

ENGINE DRAWING / SCHEMA DE MOTEUR / DIAGRAMA DE MOTOR



ENGINE PARTS LIST / LISTE DES PIÈCES DU MOTEUR / LISTA DE PIEZAS DEL MOTOR					
REF. NO.	PART NO.	DESCRIPTION	DESCRIPTION	DESCRIPCION	QTY
	0068293	Engine 389 cc	Moteur 389 cc	Motor 389 cc	1
1	0068090	Cylinder head assembly	Ensemble de tete de cylindre	Conjunto de cabezal de cilindro	1
2	0068091	Gasket, cylinder head	Joint	Empaquetadura	1
3	0068092	Cover, cylinder head	Couvercle	Tapa	1
4	0068093	Gasket, cylinder head cover	Joint	Empaquetadura	1
5	0068094	Oil seal	Joint	Sello	1
6	0068095	Sensor, engine oil	Détecteur	Sensor	1
7	0068096	Cover, crankcase	Couvercle	Tapa	1
8	0068097	Gasket, crankcase	Joint	Empaquetadura	1
9	0068098	Oil dipstick	Jauge de niveau d'huile	Varilla de aceite	1
10	0068094	Oil seal	Joint	Sello	1
11	0068066	Bolt, valve adjusting	Boulon	Perno	2
12	0068101	Rocker valve	Soupape	Válvula	2
13	0068295	Engine recoil assembly	Moteur recule l'assemblée	Asamblea de retráctil de motor	1
14	0068296	Shroud	Enveloppe	Guardera	1
15	0068104	Carburetor	Carburateur	Carburador	1
16	0068105	Gasket, air cleaner	Joint	Empaquetadura	1
17	0068106	Gasket, carburetor	Joint	Empaquetadura	1
18	0068107	Air cleaner	Aérer le nettoyeur	Limpiador aéreo	1
19	0068108	Pulley, starter	Poulie de démarreur	Polea de arrancador	1
20	0068109	Fan, flywheel	Ventilateur	Ventilador	1
21	0068110	Flywheel	Volant-moteur	Volante	1
22	0068111	Coil, ignition	Bobine d'allumage	Bobina de encendido	1

#### EMISSION SYSTEM WARRANTY

Chongqing Rato Power Co.LTD. (RATO)  
and the California Air Resources Board (CARB)  
and the United States Environmental Protection Agency (U.S.EPA)  
Emission Control System Warranty Statement (Owner's Direct Warranty Rights and Obligations)

Emission control warranty coverage is applicable to engines purchased in California (certified for sale in California only) in 1995 and thereafter, which are used in California, and to certified model year 1997 and later engines which are purchased and used elsewhere in the United States.

#### California and United States Emission Control Defects Warranty Statement

CARB, U.S.EPA and RATO are pleased to explain the Emission Control System Warranty on your model year 2006 and later spark ignited small off-road engine. In California, new spark ignited small off-road engines must be designed, built and equipped to meet the State's stringent anti-smog standards. In other areas of the United States, your engine must be designed, built and equipped to meet U.S.EPA emission standards for spark ignited small off-road engines at or below 19 kilowatts.

RATO must warrant the emission control system on your engine for the period of time listed below, provided there has been no abuse, neglect or improper maintenance on your spark ignited small off-road engine. Where a warrantable condition exists, RATO will repair your spark ignited small off-road engine at no cost to you including diagnosis, parts and labor. Your emission control system includes parts such as carburetor, air cleaner, ignition system, muffler and catalytic converter (when present). Also include may be hoses, connectors, and other emission-related assemblies.

#### Chongqing Rato Power Co. LTD. Emission Control Defects Warranty Coverage

Spark ignited small off-road engines are warranted relative to emission control parts defects for a period of two (2) years, subject to the provisions stated below. If any emission related part on your engine is defective, the part will be repaired or replaced by RATO. The warranty period begins on the date the product is delivered to the initial owner.

#### Owner's Warranty Responsibility

As the spark ignited small off-road engine owner, you are responsible for the performance of the require maintenance listed in the owner's manual. RATO recommends that you retain all receipts covering maintenance on your spark ignited small off-road engine, but RATO cannot deny warranty solely for the lack of receipts or for your failure to ensure the performance of all scheduled maintenance.

As the owner of a spark ignited small off-road engine, you should however be aware that RATO may deny you warranty coverage if your spark ignited small off-road engine or part has failed due to abuse, neglect, improper maintenance or unapproved modifications.

You are responsible for presenting your spark ignited small off-road engine to an authorized service center as soon as a problem exists. The undisputed warranty repairs should be completed in a reasonable period of time, not to exceed 30 days. For the location of an authorized service center and any questions you may have regarding your warranty rights and responsibilities, you should call our parts and technical support group toll free at 800-232-1195 M-F, 8:00 AM to 5:00 PM CST.

The emission warranty is a defects warranty and defects are judged on normal engine performance. The warranty is not related to an in-use emission test.

#### **Emission Control System Warranted Parts**

Coverage under this warranty extends only to the parts listed below (the emission control system parts) to the extent that these parts were present on the engine purchased.

##### **Fuel Metering System**

- Carburetor and/or internal parts
- Intake manifold

##### **Evaporative System (if CARB compliant)**

- Fuel tank, Fuel cap, Fuel hose, Fuel strainer, Fuel cock, Fuel hose joint
- Carbon canister, canister brackets, canister purge hose joint
- Vapor hoses

##### **Air Induction System**

- Air cleaner\*
- Intake manifold

##### **Exhaust System**

- Exhaust manifold

##### **Ignition System**

- Flywheel magneto
- Ignition coil assembly
- Spark plug\*

##### **Crankcase Emission Control System**

- Crankcase breather tube
- Oil filler cap

##### **Miscellaneous parts**

- Hoses, seals, gaskets, connectors and assemblies associated with listed parts

Note: \* Covered up to the first required replacement only. See the maintenance schedule in the Owner's Manual.

#### **Length of Coverage**

Chongqing Rato Power Co. LTD. warrants to the initial owner and each subsequent purchaser that the spark ignited small off-road engine is free from defects in materials and workmanship which can cause the failure of an emission warranted part for a period of two (2) years after the engine is delivered to the original retail purchaser. Warranty coverage shall extend to the failure of any engine components caused by the failure of any warranted part still under warranty.

#### **Limitations**

The Emission Control System Warranty shall NOT cover any of the following:

- Repair or replacement required as the result of misuse or neglect, improper maintenance or unapproved modifications, repairs improperly performed or replacement improperly installed, use of unapproved replacement parts or accessories and modifications not recommended by RATO.
- Replacement parts, other services and adjustments necessary for normal maintenance.
- Transportation to and from the authorized service center or retailer.

#### **Limited Liability**

The liability of Chongqing Rato Power Co. LTD. under this Emission Control System Warranty is limited solely to the remedy of defects in materials or workmanship. This warranty does not cover inconvenience or loss of the spark ignited small off-road engine equipment or transportation of same to an authorized service center. RATO shall not be liable for any other expenses, loss, or damage, whether direct, incidental, consequential (except as listed) or exemplary arising in connection with the sale or use of or inability to use the spark ignited small off-road engine equipment for any other purpose.

No express Emission Control System Warranty is given by RATO with respect to the engine except as specifically set forth in this document. Any Emission Control System Warranty implied by law, including any warranty of merchantability or fitness for a particular purpose, is expressly limited to the Emission Control System Warranty terms set forth in this document.

© 2010 Pramac America, LLC. All rights reserved.  
Powermate® is a registered trademark of Pramac America, LLC.

© 2010 Pramac America, LLC. Tous droits réservés.  
Powermate® est une marque déposée de Pramac America, LLC.

© 2010 Pramac America, LLC. Reservados todos los derechos.  
Powermate® es una marca comercial registrada de Pramac America, LLC.